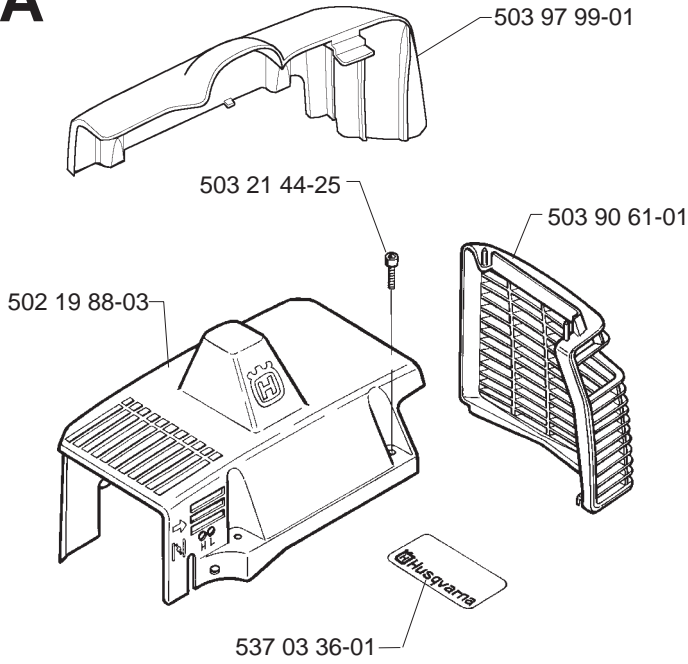
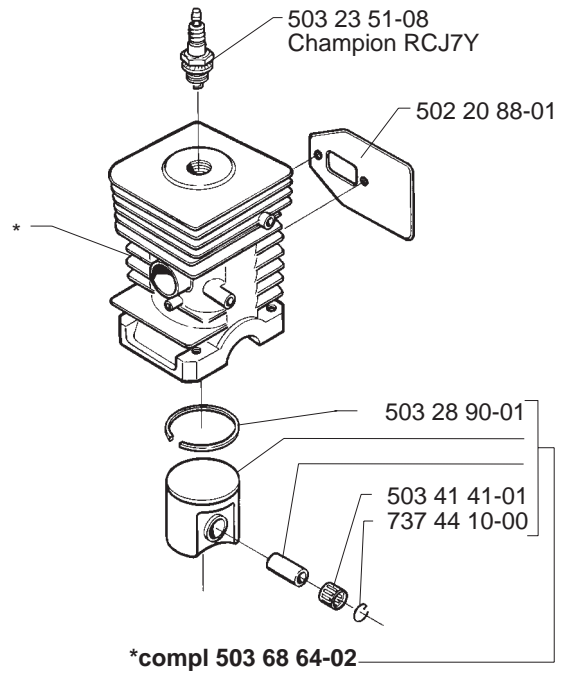
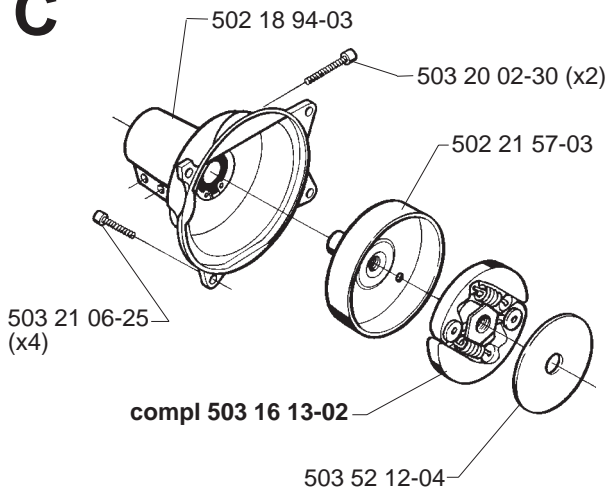
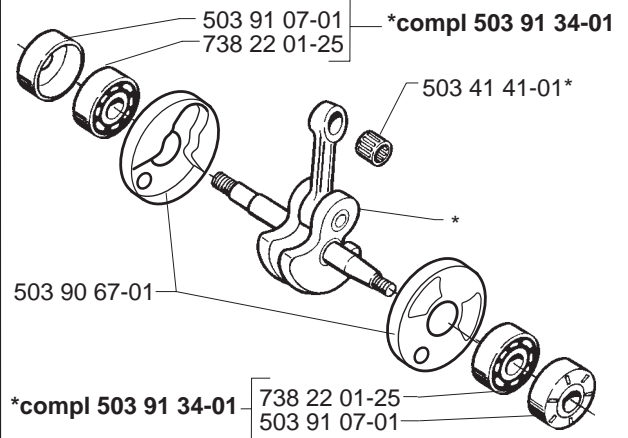
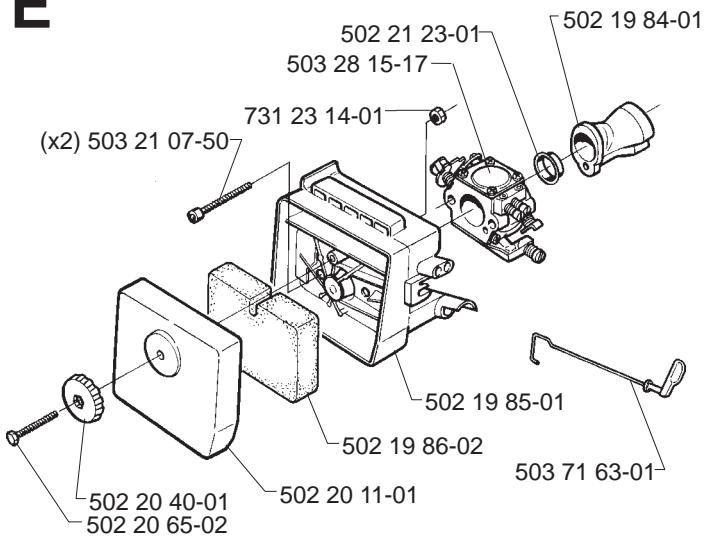
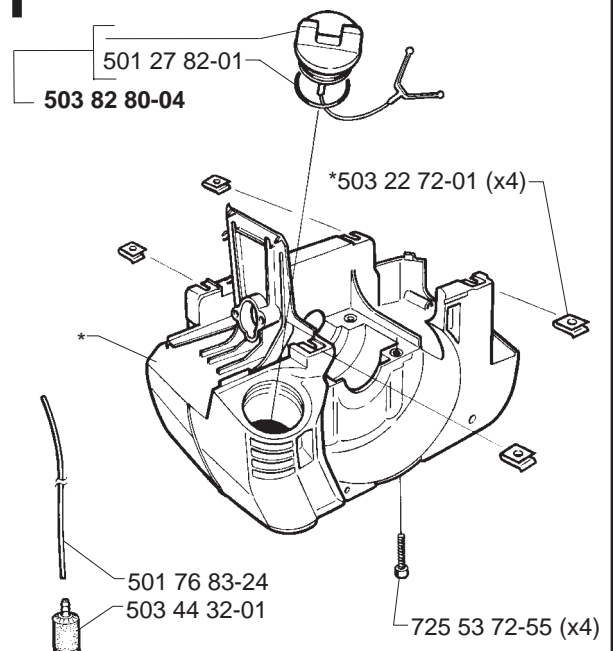
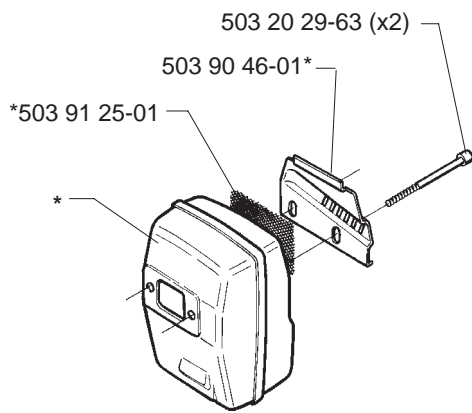
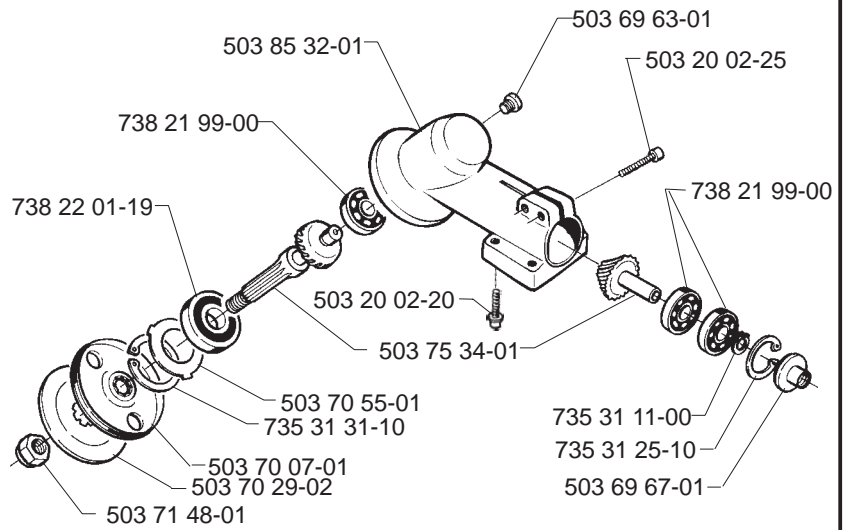
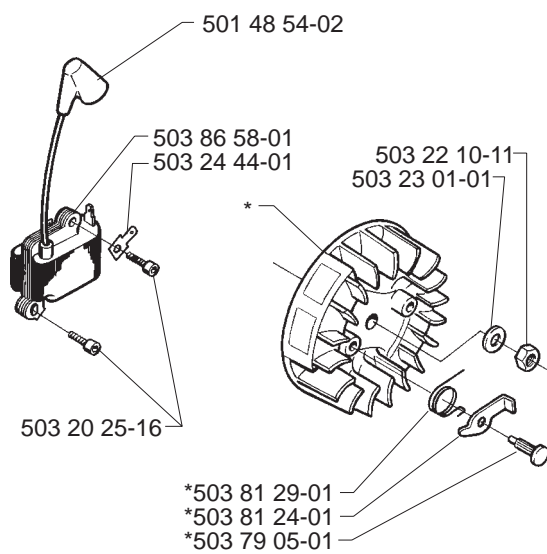
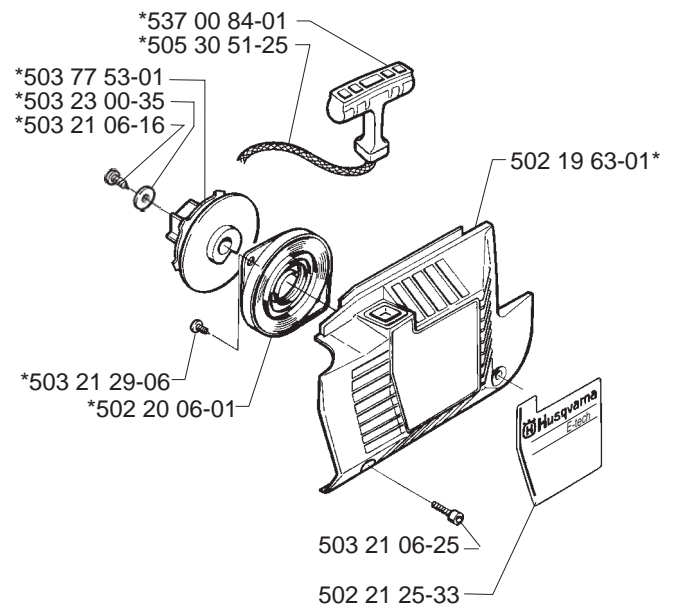
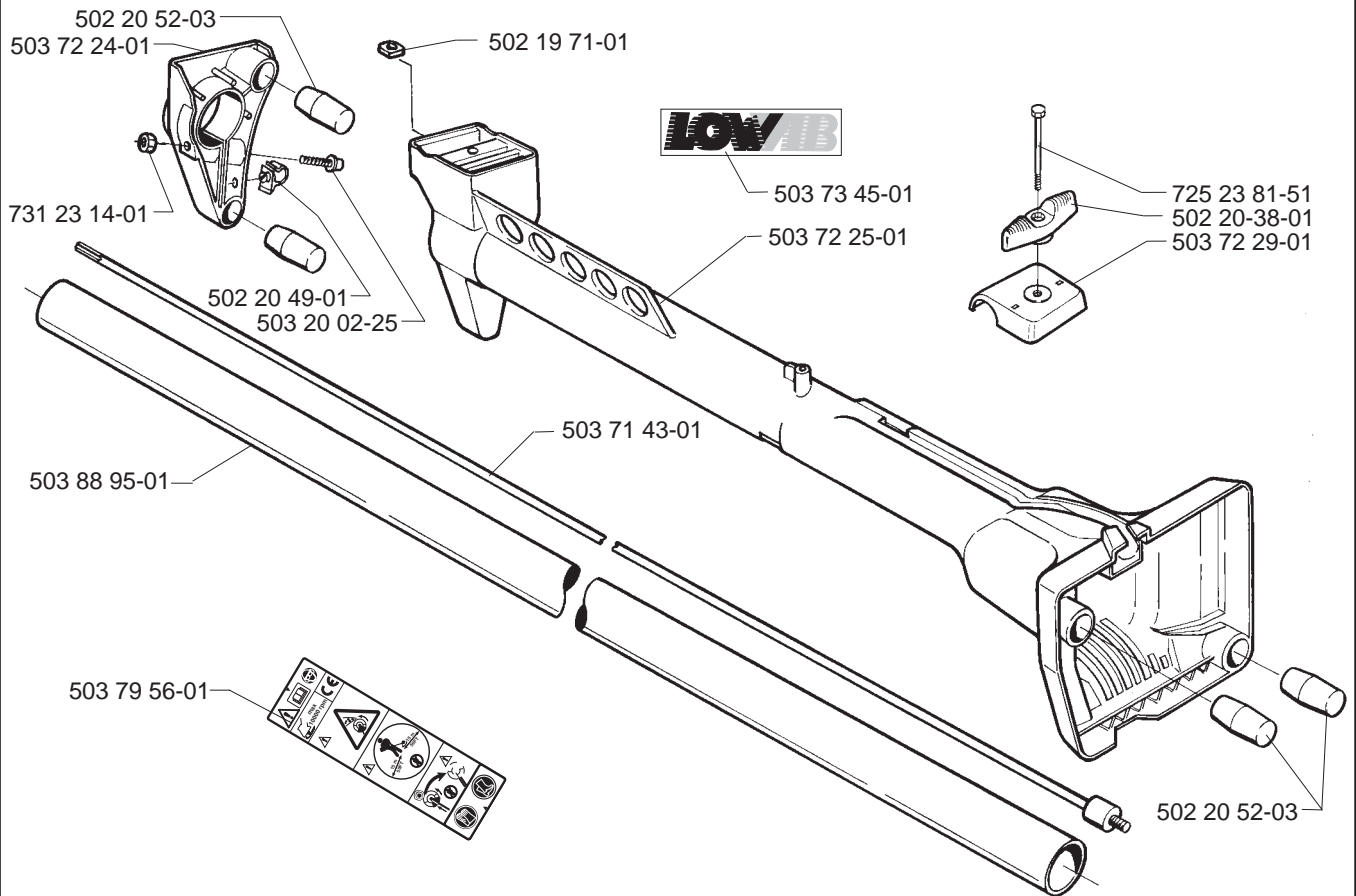
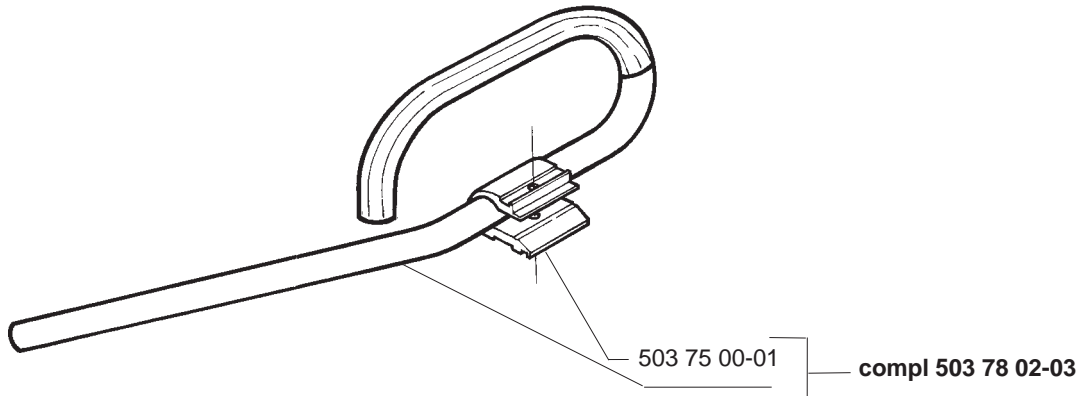
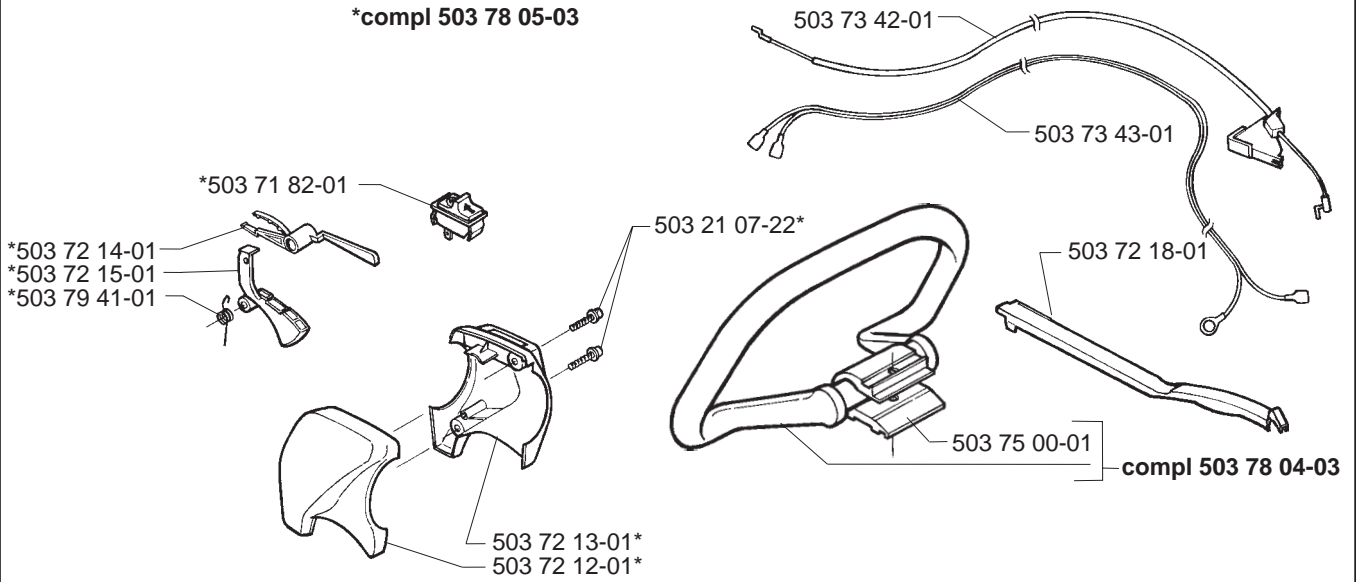


A**B*****compl 503 69 46-01****C****D*****compl 502 21 28-03****E****F*****compl 503 84 00-01**

G***compl 503 90 47-01****H****compl 502 21 92-04****J*****compl 503 79 06-01****K*****compl 502 18 95-01**

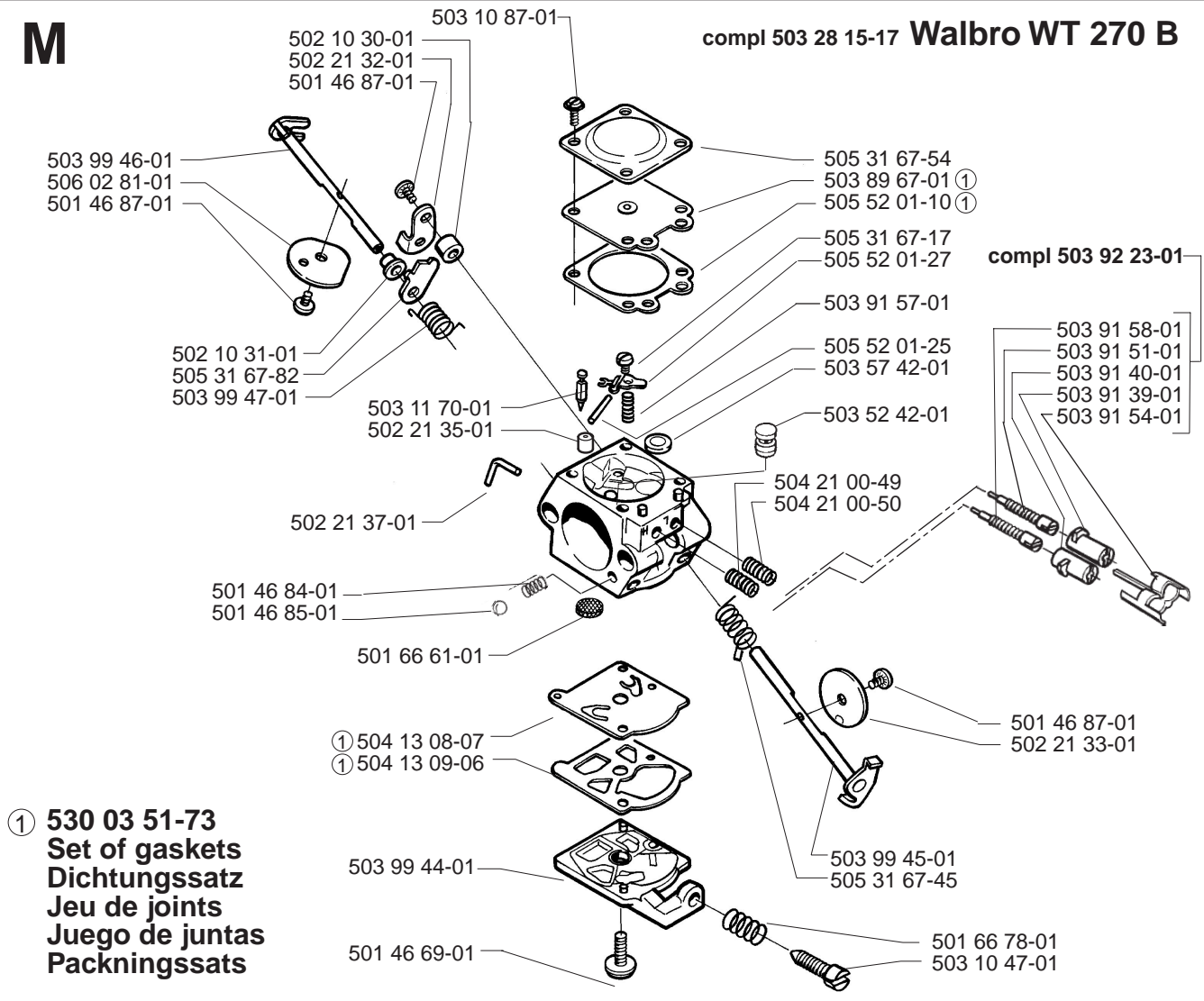
L

***compl 503 78 05-03**



M

compl 503 28 15-17 **Walbro WT 270 B**



N

Accessories
Zubehöre
Accessoires
Acessorios
Tillbehör

